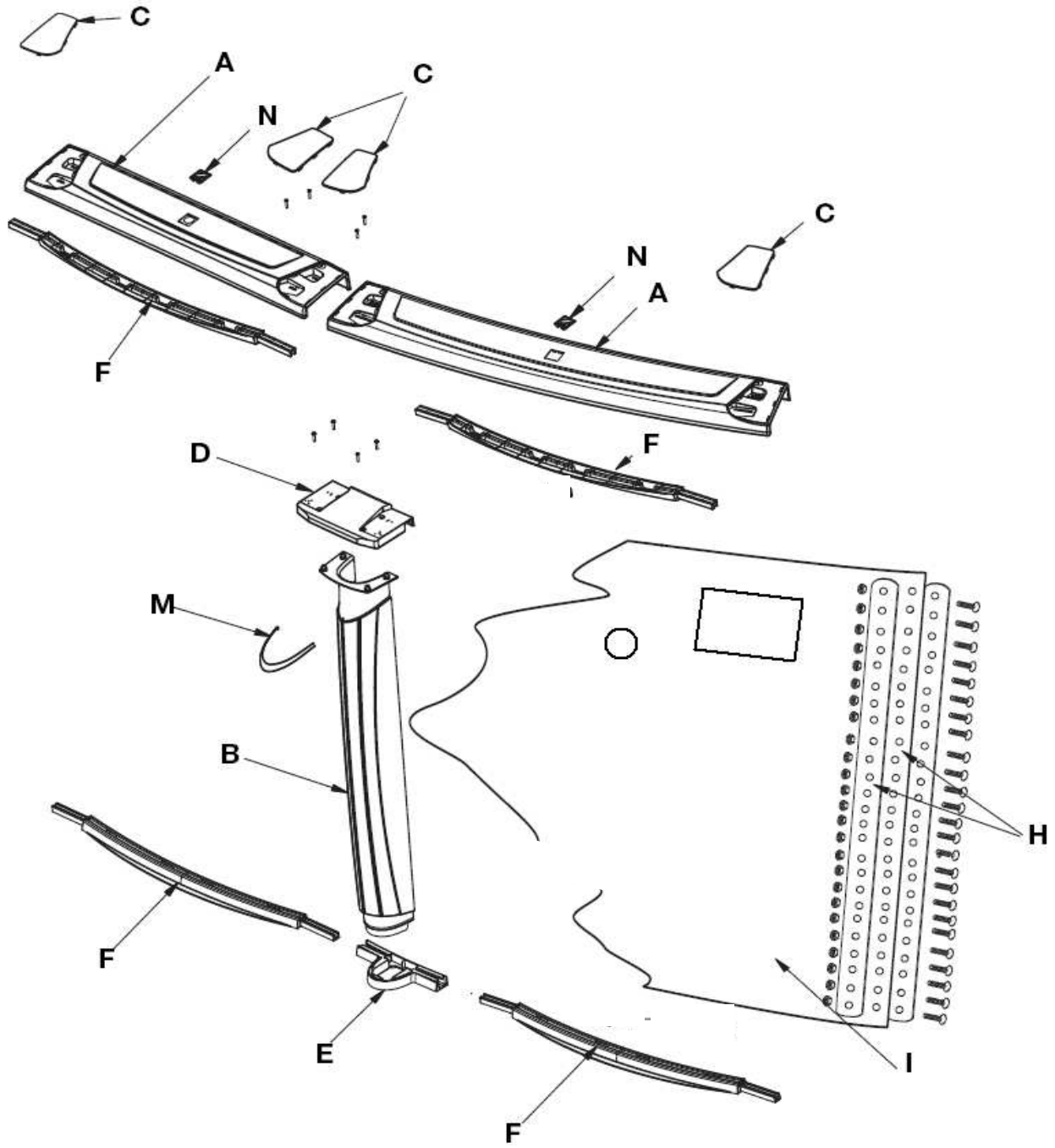


Azor RRR
PAZO-54RRRRRRI10
Round



Product: Description:
Product Code:

Azor Round
PAZO-54RRRRR110

Revised Sept 2014

| | | | | Quantity required for installation (by pool size) | | | | | | |
|---------|-------------------------|--------------|---------|---|----|----|----|----|----|----|
| Index # | Description | Part # | Length | 12 | 15 | 18 | 21 | 24 | 27 | 30 |
| A | Top ledge | CG761-001-R | | 8 | 10 | 12 | 14 | 16 | 18 | 20 |
| B | Upright | CG861-002-54 | 54" | 8 | 10 | 12 | 14 | 16 | 18 | 20 |
| C | Top ledge cover (Left) | CC761-006-G | 55.312 | 8 | 10 | 12 | 14 | 16 | 18 | 20 |
| C | Top ledge cover (Right) | CC761-006-D | 55,312" | 8 | 10 | 12 | 14 | 16 | 18 | 20 |
| D | Top plate | CC761-20851 | | 8 | 10 | 12 | 14 | 16 | 18 | 20 |
| E | Bottom plate | CG761-20852 | | 8 | 10 | 12 | 14 | 16 | 18 | 20 |
| F | Stabilizer/Bottom Rail | 1525515 | 55,250" | 16 | 20 | | | | | |
| F | Stabilizer/Bottom Rail | 1525524 | 55,250" | | | 24 | 28 | 32 | 36 | |
| F | Stabilizer/Bottom Rail | 1525530 | 55,250" | | | | | | | 40 |
| H | Steel bars | 11825 | 54,000" | 2 | 2 | 2 | 2 | 2 | 2 | 2 |
| I | Wall | | | 1 | 1 | 1 | 1 | 1 | 1 | 1 |
| M | Collar | SV761-007 | | 8 | 10 | 12 | 14 | 16 | 18 | 20 |
| N | Logo | SVLOGOM761-1 | | 8 | 10 | 12 | 14 | 16 | 18 | 20 |
| | Hardware bag for pool | SACRE0012 | | 1 | | | | | | |
| | Hardware bag for pool | SACRE0015 | | | 1 | | | | | |
| | Hardware bag for pool | SACRE0018 | | | | 1 | | | | |
| | Hardware bag for pool | SACRE0021 | | | | | 1 | | | |
| | Hardware bag for pool | SACRE0024 | | | | | | 1 | | |
| | Hardware bag for pool | SACRE0027 | | | | | | | 1 | |
| | Hardware bag for pool | SACRE0030 | | | | | | | | 1 |
| | Hardware for wall | 1050000054 | | 1 | 1 | 1 | 1 | 1 | 1 | 1 |
| | Flat washer 10x 3/4" | FW10x34s | | 33 | 42 | 50 | 58 | 67 | 75 | 84 |
| | Screw 12X1 1/4" | VHL12x114S | | 33 | 42 | 50 | 58 | 67 | 75 | 84 |
| | Screw 12X3/4" | VHL12x34S | | 33 | 42 | 50 | 58 | 67 | 75 | 84 |
| | Instruction DVD | SACWBI36876 | | 1 | 1 | 1 | 1 | 1 | 1 | 1 |
| | Addendum | B40019FA | | | | | | | 1 | 1 |

